

TITAN Crank Gear Hall

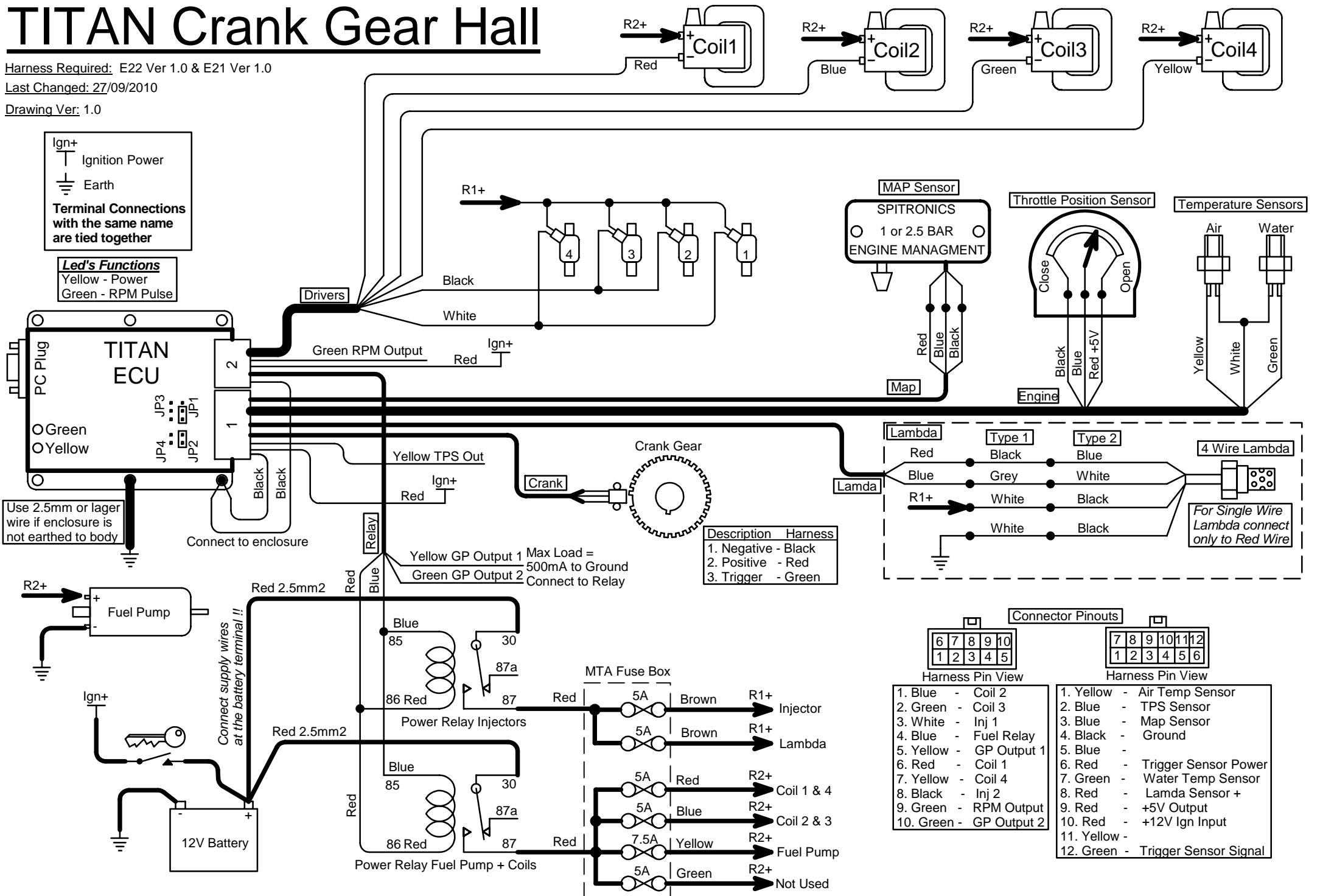
Harness Required: E22 Ver 1.0 & E21 Ver 1.0

Last Changed: 27/09/2010

Drawing Ver: 1.0

Ign+
| Ignition Power
|
Earth
|
Terminal Connections
with the same name
are tied together

Led's Functions
Yellow - Power
Green - RPM Pulse



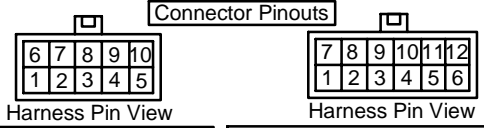
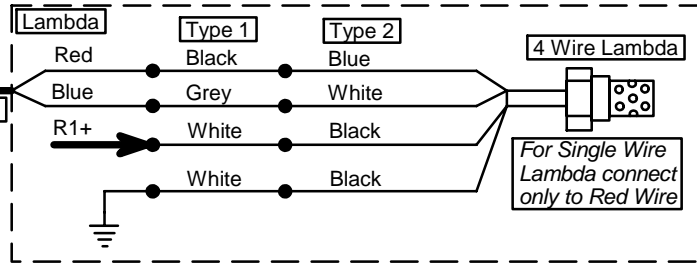
Use 2.5mm or larger wire if enclosure is not earthed to body

Connect to enclosure

Connect supply wires at the battery terminal !!

Max Load = 500mA to Ground
Connect to Relay

Description	Harness
1. Negative	- Black
2. Positive	- Red
3. Trigger	- Green



Harness Pin View		Harness Pin View	
1. Blue	- Coil 2	1. Yellow	- Air Temp Sensor
2. Green	- Coil 3	2. Blue	- TPS Sensor
3. White	- Inj 1	3. Blue	- Map Sensor
4. Blue	- Fuel Relay	4. Black	- Ground
5. Yellow	- GP Output 1	5. Blue	-
6. Red	- Coil 1	6. Red	- Trigger Sensor Power
7. Yellow	- Coil 4	7. Green	- Water Temp Sensor
8. Black	- Inj 2	8. Red	- Lambda Sensor +
9. Green	- RPM Output	9. Red	- +5V Output
10. Green	- GP Output 2	10. Red	- +12V Ign Input
		11. Yellow	-
		12. Green	- Trigger Sensor Signal